



PBI 50N
YAWAL System



System description

The system is designed for constructing division walls and structures for internal and external assembly such as doors (swing doors including), windows (box office windows including), non-load bearing partition walls, cabinets, cubicles that do not require thermal insulation. 50mm depth of the profile makes it one of the strongest profiles in the market in this segment. The system has the same technological solutions as earlier introduced "warm" PI 50N system with rebate hinges. Accessories and fittings – this is a common feature of these systems. Introduced standardization allows for fast structures constructing with elimination of the possibility of making errors during prefabrication. Aesthetical advantages of the structure are supported by high quality of profile surface: powder painting and anodizing. Offered products are painted in any colour according RAL marking.

PBI 50N
YAWAL System

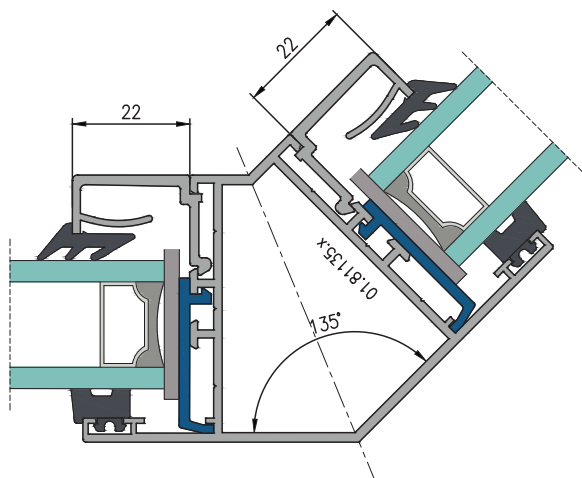


Merits of the system

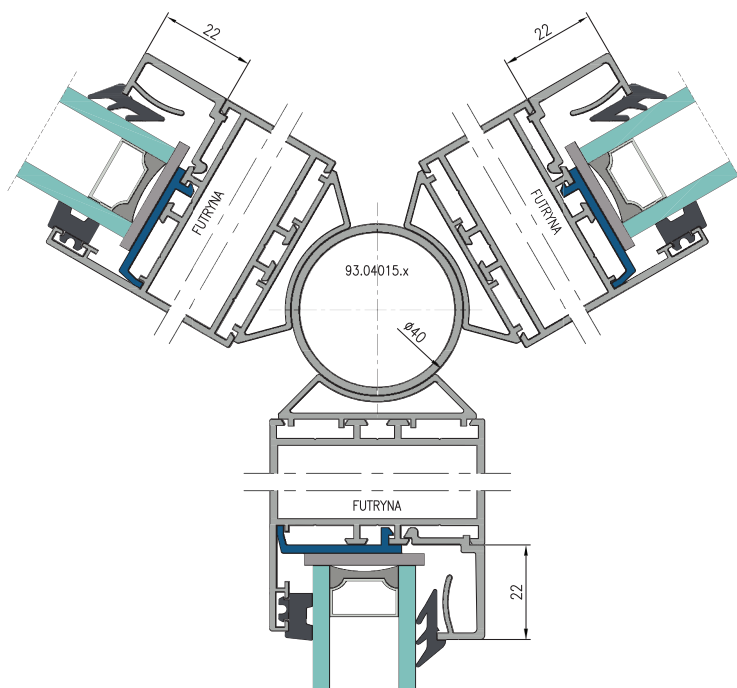
- possibility to make smoke-resistant structures,
- possibility to make swing doors and box office windows,
- possibility to make arched structures,
- it is also possible to make wall at any angle, 90 and 1350 including,
- a wide range of profiles, including reinforced posts, enables to make structures of big overall dimensions,
- possibility of combining with other Yawal systems.

PBI 50N System

The system solutions and applications



135° corner profile.



A three-wall connection.

Technical characteristics

Technical parametres	PBI 50N
air permeability	class 2 - PN-EN 1227
working force	class 2 - PN-EN 12217
mechanical durability	class 5 - PN-EN 12400
smoke-resistance	class S _a S _m - PN-EN 13501-2
acoustic insulation	R _w = 22 - 32dB - PN-EN ISO 140-3
technical approval	ITB AT-15-6924/2007

PBI 50N								
Stylistic variants		Windows	Serving hatch	Window profile doors	Swiing doors	Suspended doors	Doors on groove hinges	Folding accordion doors
Minimum inward window structure width visible externally	Window frame profile	47,3 mm	47,3 mm	47,3 mm	51 mm	46,8 mm	61,8 mm	65,8 mm
	Sash profile	31,7 mm	42,5 mm	60,4 mm	74 mm	65,8 mm	66,7 mm	60,4 mm
Minimum outward door structure width visible externally	Door frame profile	21,8 mm	—	21,8 mm	—	46,8 mm	32,2 mm	40,3 mm
	Leaf profile	90,2 mm	—	90,2 mm	—	65,8 mm	96,3 mm	90,2 mm
Window structural depth	Window frame profile	50 mm	50 mm	50 mm	50 mm	50 mm	50 mm	50 mm
	Sash profile	57 mm	21,8/45,5 mm	57 mm	50 mm	50 mm	50 mm	57 mm
Glazing bead height		20/22 mm	20 mm	20/22 mm	20 mm	20/22 mm	20/22 mm	20/22 mm
Pane thickness		from 4 to 43 mm	from 4 to 6,4 mm	from 4 to 43 mm	from 4 to 36 mm	from 4 to 36 mm	from 4 to 36 mm	from 4 to 43 mm

